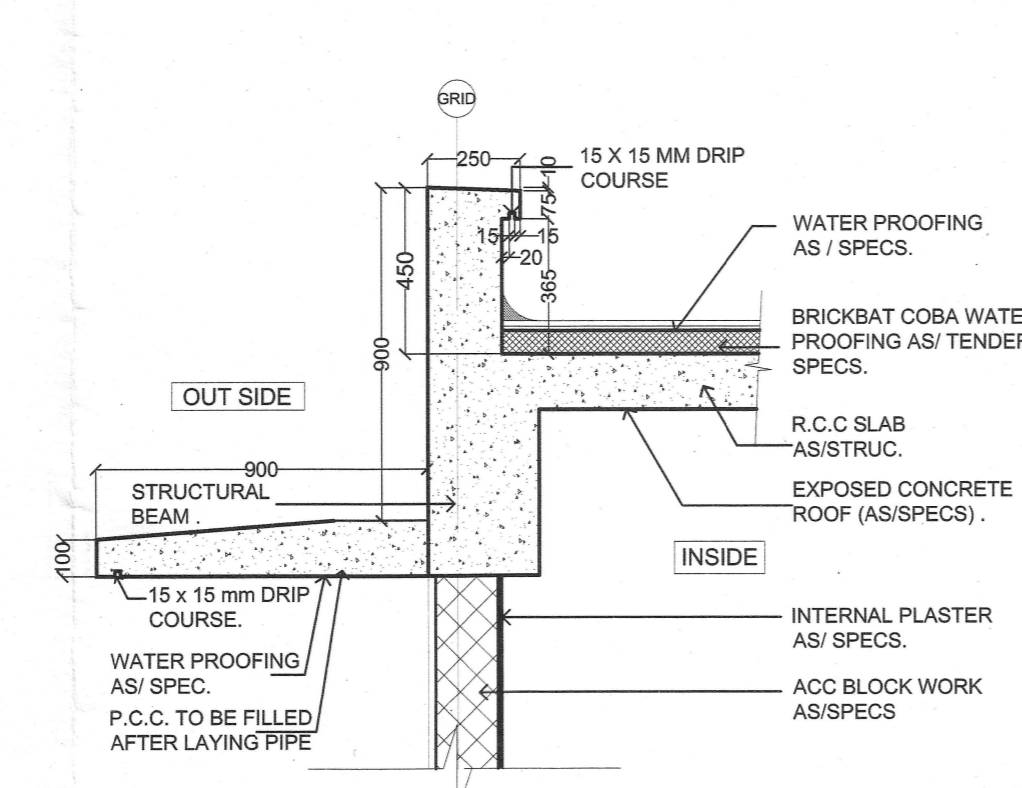
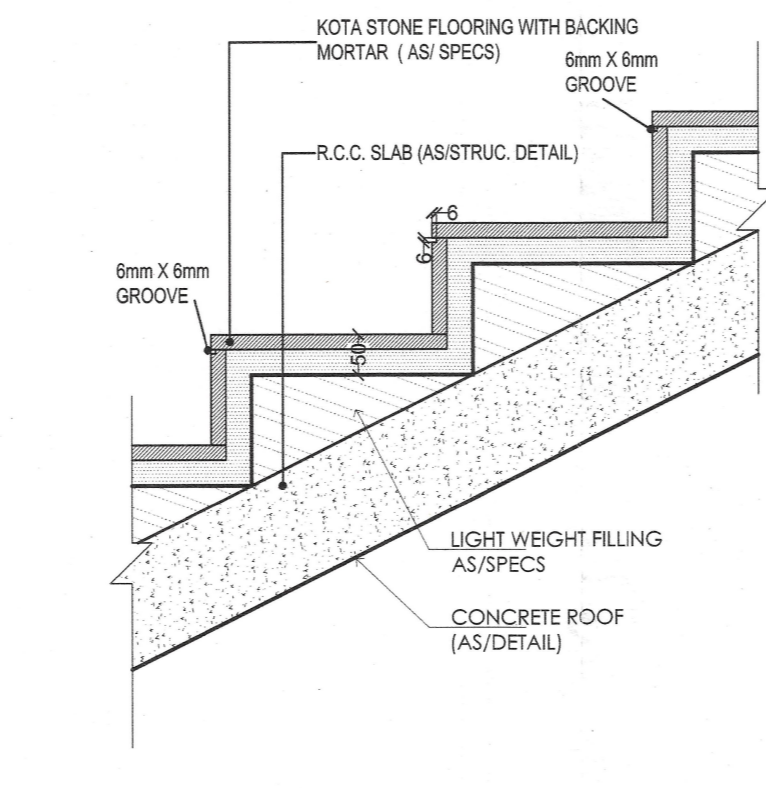


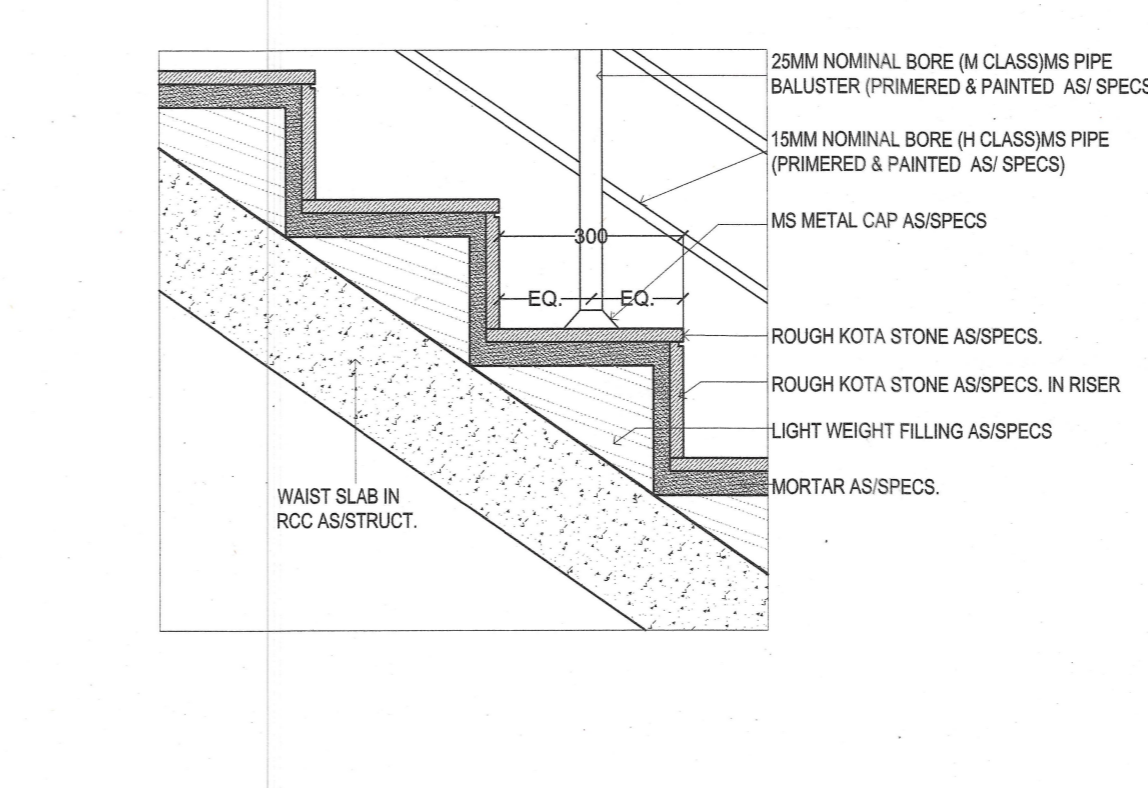
18 TYPICAL CANOPY DETAIL FROM PIPE LOCATION (DETAIL 'A')
SCALE-1:20



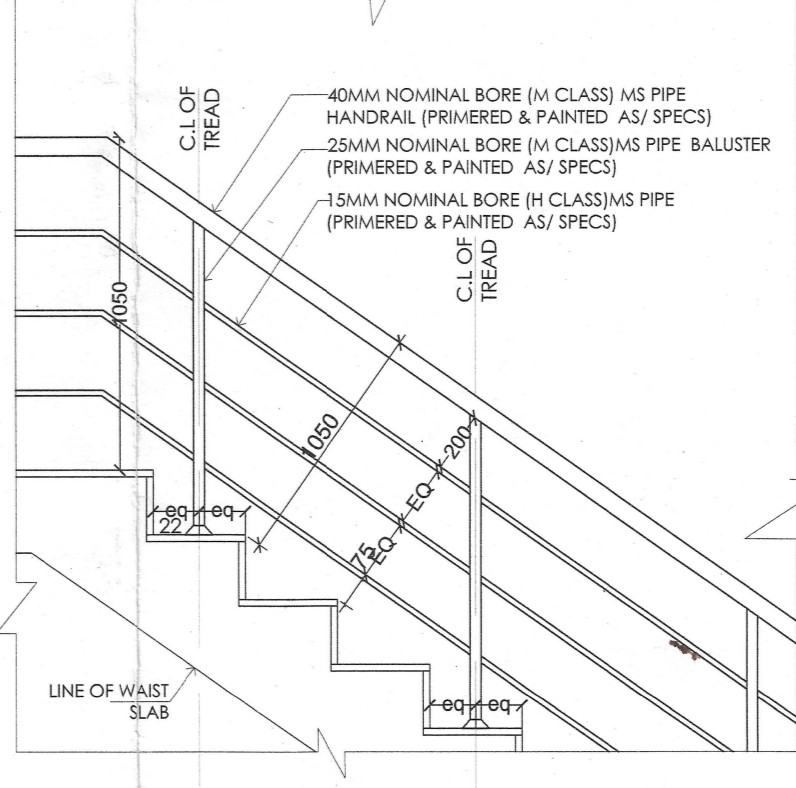
19 TYPICAL CANOPY DETAIL FROM PIPE LOCATION (SECTION-PP)
SCALE-1:20



20 TYPICAL STEP DETAIL
SCALE-1:10



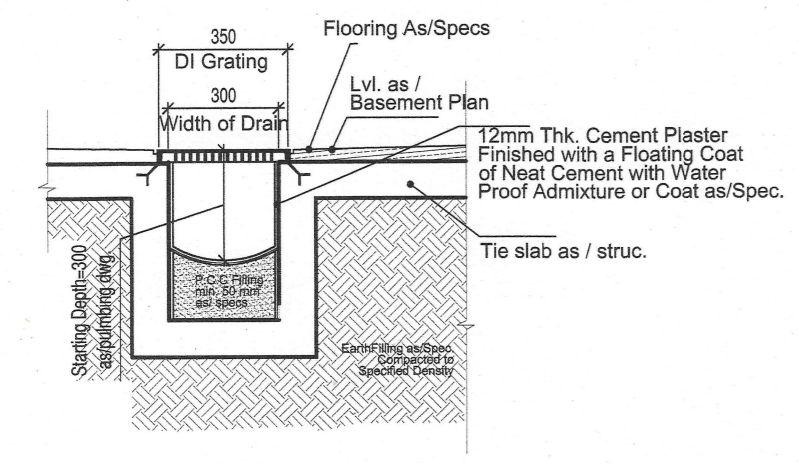
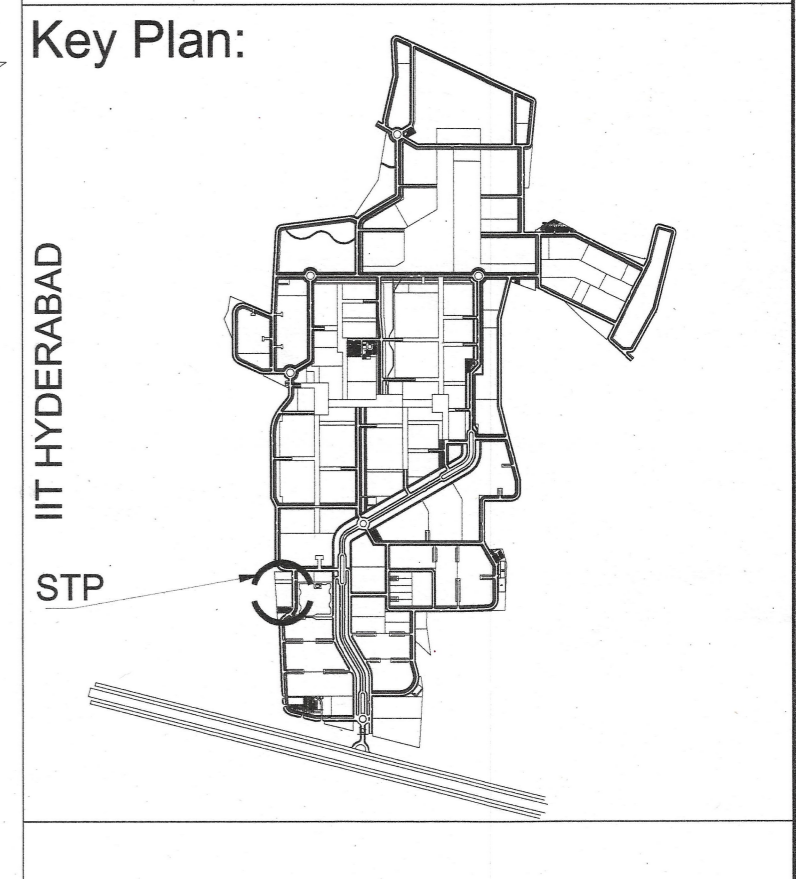
21 TYPICAL DETAIL OF HANDRAIL
SCALE-1:10



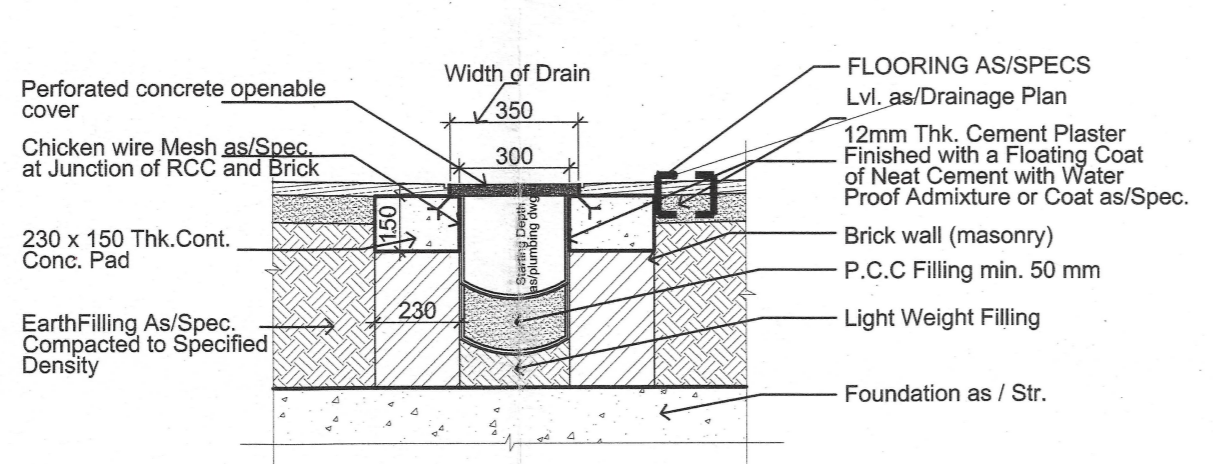
22 TYPICAL RAILING DETAIL
SCALE-1:20

NOTES

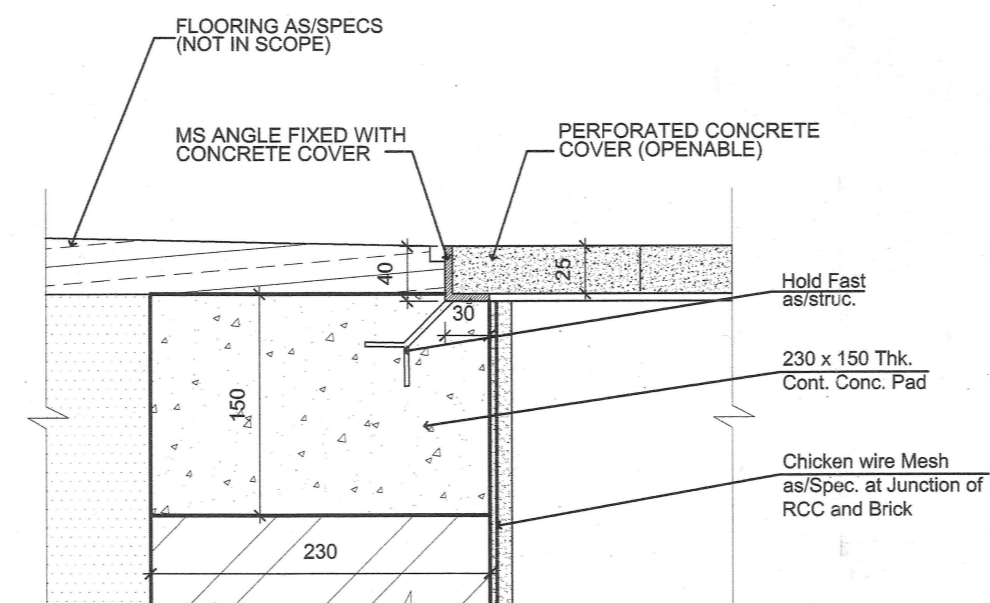
- ALL M.S. ELEMENTS SHALL BE FINISHED WITH ZINC CHROMATE PRIMER & 2 COATS OF SYNTHETIC ENAMEL PAINT OF LOW V.O.C.
- ALL R.C.C. MEMBERS COMING IN CONTACT WITH SEWAGE SHALL BE COATED WITH 2 COATS OF EPOXY COATING.
- FOR VENTILATION - SUFFICIENT NOS. OF CEILING & EXHAUST FANS TO BE PROVIDED.
- FOOT REST TO BE PROVIDED INSIDE TANK FOR MAINTENANCE PURPOSES (AS/SPECS.)
- HARDWARE FOR DOORS & WINDOWS TO BE AS/SPECIFICATIONS.
- INTERNAL FINISH-
(a) FOR THE TANKS MEANT FOR SEWAGE COLLECTION = COAL TAR EPOXY.
(b) FOR THE TANKS MEANT FOR CLEAR WATER COLLECTION = CERAMIC TILES.



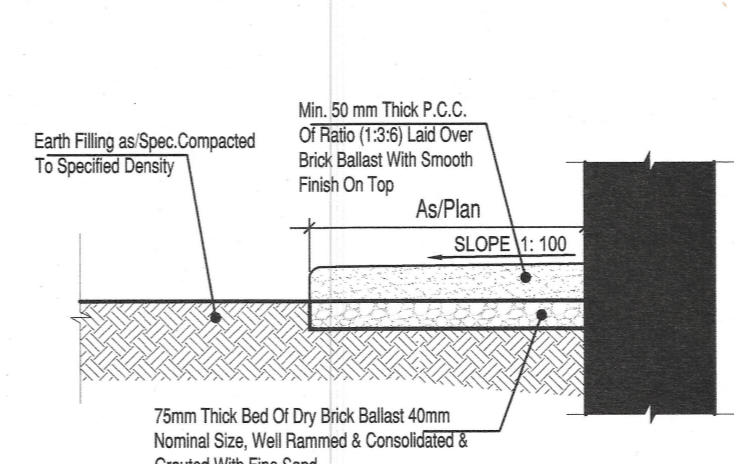
23 TYPICAL DRAIN DETAIL IN BASEMENT
SCALE-1:20



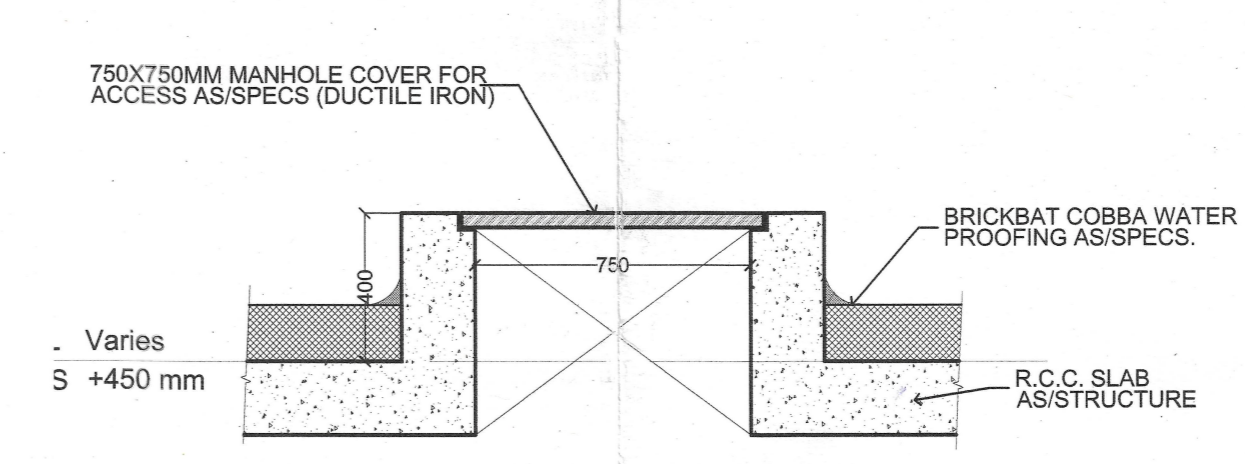
24 TYPICAL SURFACE R.C.C. DRAIN
SCALE-1:20



25 CONCRETE COVER DETAIL '1'
SCALE-1:5



26 PLINTH PROTECTION DETAIL-B
SCALE-1:20

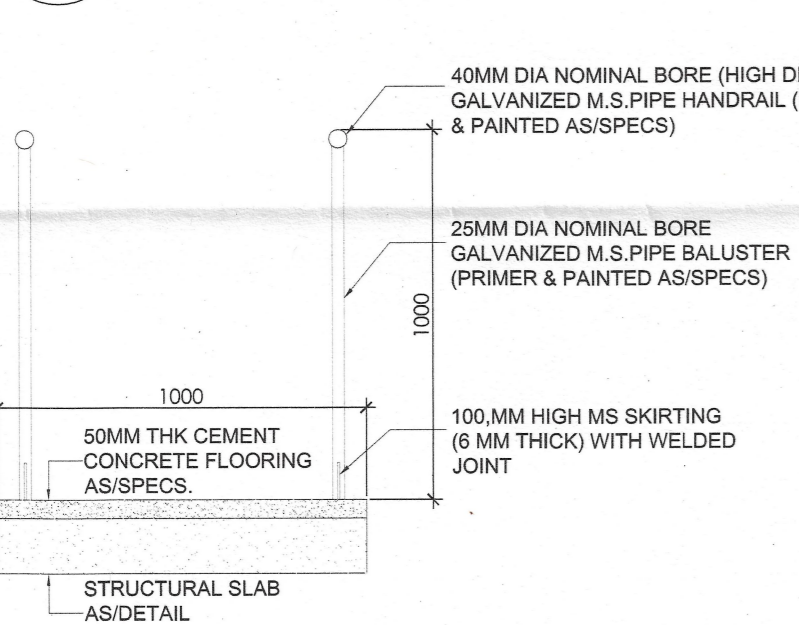


27 MANHOLE COVER DETAIL
SCALE-1:20

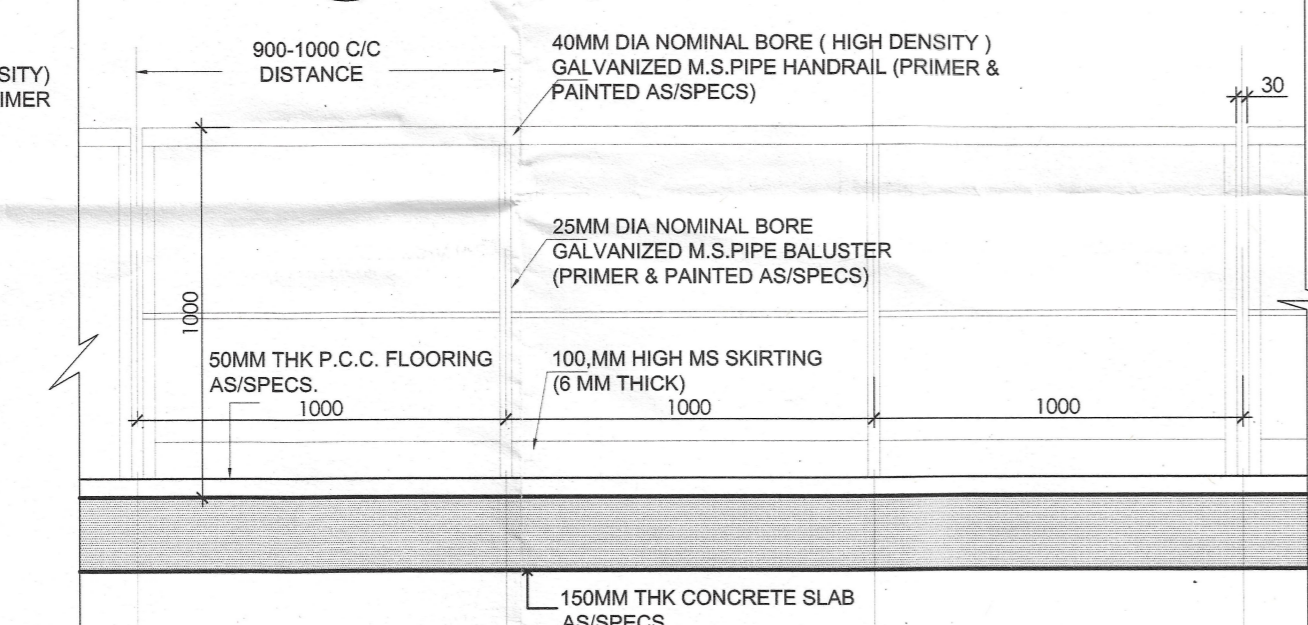
ISSUES

S. NO.	DATE	BY	TO	PURPOSE
1.	19-04-2017	ARCOP	SITE	GFC
2.	3-08-2018	ARCOP	SITE	GFC(R1)

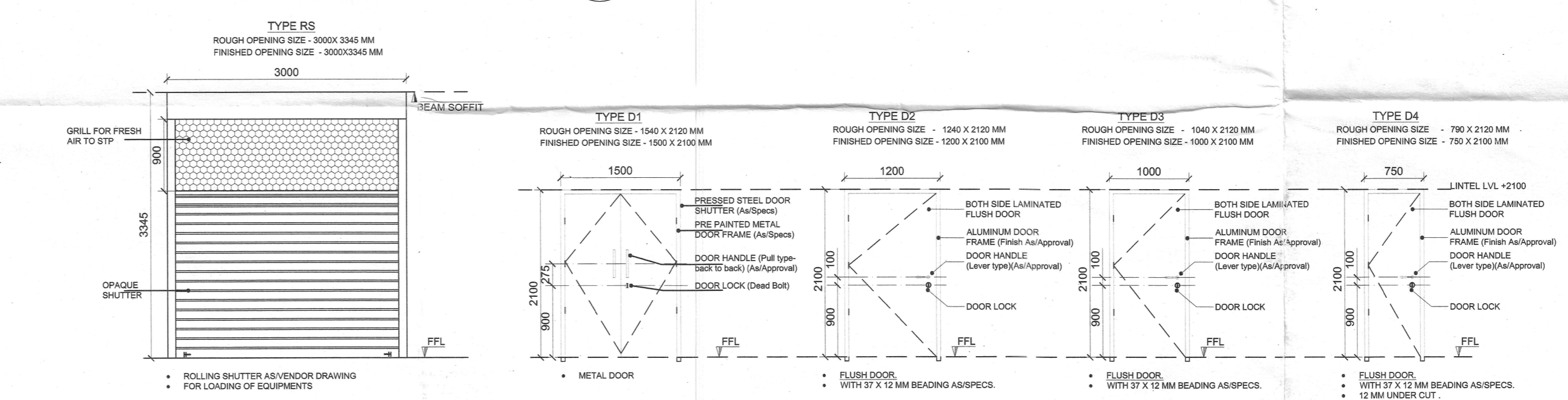
REVISIONS



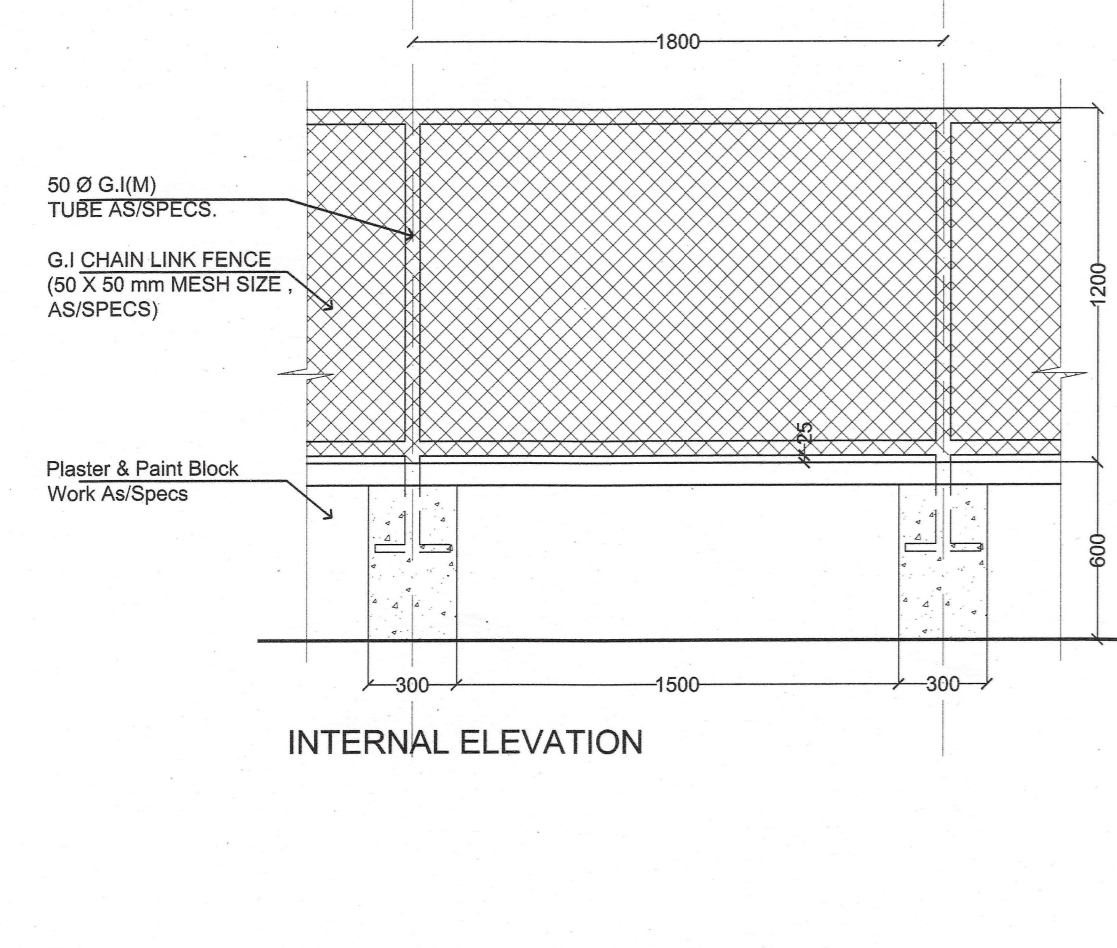
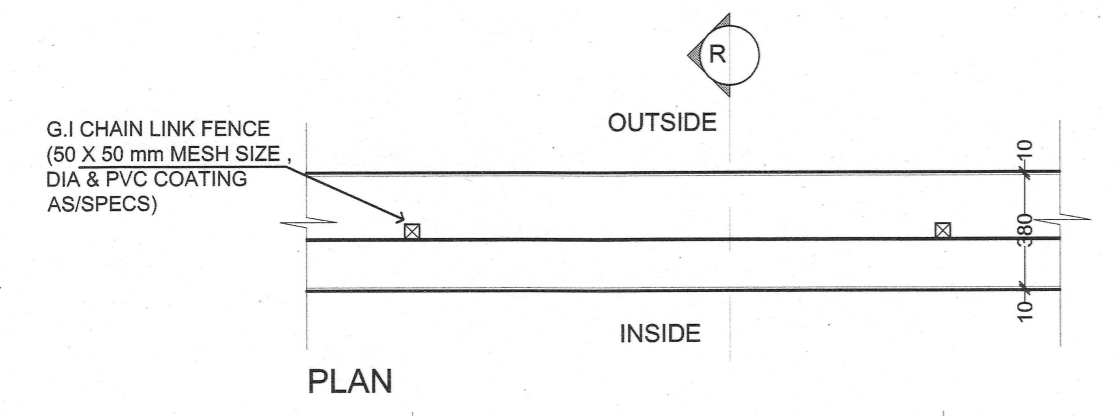
28 TYPICAL WALKWAY DETAIL
SCALE-1:20



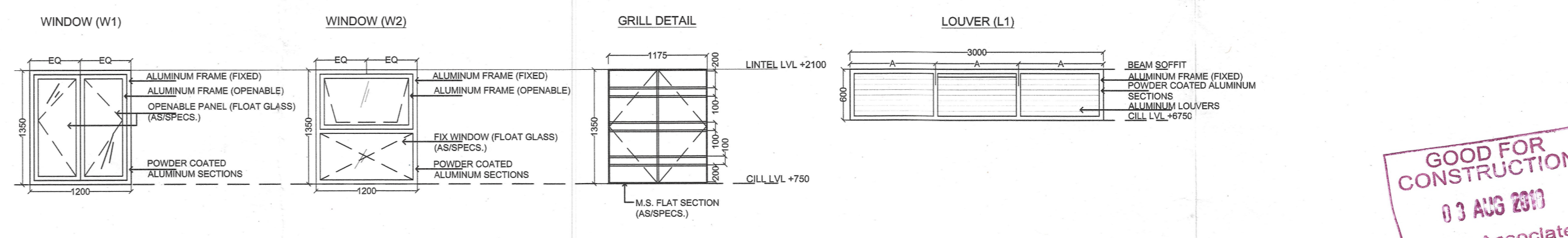
24 TYPICAL SURFACE R.C.C. DRAIN
SCALE-1:20



30 DOOR & WINDOW DETAILS
SCALE-1:50



29 TYPICAL DETAIL OF CHAIN LINK FENCE
SCALE-1:25



31 ELEVATION - A
SCALE-1:150

CLIENTS
Indian Institute of Technology(IIT) Hyderabad,
Ordnance Factory Estate,
Yeddumailaram-502205,
Andhra Pradesh, INDIA

ARCHITECTS & PLANNERS
ARCOP ASSOCIATES PVT. LTD.
E-106, G.K. ENCLAVE PART 1
NEW DELHI 110048
PHONE : 011 - 26242050
FAX : 011 - 26242035

Architect's Signature _____
Client's Signature _____
= 8 AUG 2018

Job Title
IITH EXTERNAL SERVICES BUILDINGS

Drawing Title
MBR BASED SEWER TREATMENT PLANT-2

Document Release Type
GOOD FOR CONSTRUCTION

Job No.	2012/09	N
Scale	AS SPEC.	
Date	APRIL.19.2017	Drawing No.
Drawn by	VARALIKA	STP2-AR-04
Checked by	PANKAJ	Revision No.
AUTHORITY:		R1

GOOD FOR CONSTRUCTION
03 AUG 2017
Arcop Associates Private Limited